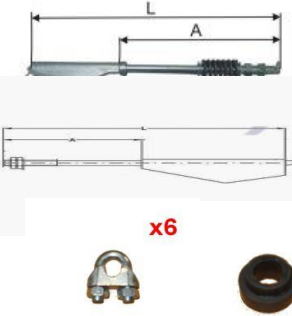


**KTA: Estándar Chasis MP**

		KTA03100000	KSA03100000	KTA04100000	KSA04100000	KTA06100000	KSA06100000
		Nº cables tracción x diámetro de cables (mm)					
Código	Descripción	3 x 10 mm	3 x 10 mm	4 x 10 mm	4 x 10 mm	6 x 10 mm	6 x 10 mm
3101134THYPT	Terminal 10-12 mm M16 SLIM L555 muelle 300 kg		3		4		6
3101132THYPT	Terminal 10-12 mm M16 SLIM L555 sin muelle		3		4		
611613900000	Terminal 10-12 mm M18 L552 muelle 300 kg	3		4		6	6
613613300000	Terminal 10-12 mm M18 L552 sin muelle	3		4		6	
613602011002	Bolsa Silent-block Cable Diámetro 10-11-12 mm 2 Unidades			2	2		
613602011003	Bolsa Silent-block Cable Diámetro 10-11-12 mm 3 Unidades	1	1			2	2
613630002S06	Bolsa Sujetacables (Diámetro 8-9-10 mm) 3/8" 6 Unidades	3	3	4	4	6	6



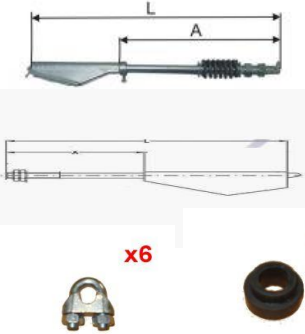
**KTA: Standard Étrier MP**

		KTA03100000	KSA03100000	KTA04100000	KSA04100000	KTA06100000	KSA06100000
		Nº câbles de traction x diamètre de câbles (mm)					
Code	Description	3 x 10 mm	3 x 10 mm	4 x 10 mm	4 x 10 mm	6 x 10 mm	6 x 10 mm
3101134THYPT	Attache-câble 10-12 mm M16 SLIM L555 ressort 300 kg		3		4		6
3101132THYPT	Attache-câble 10-12 mm M16 SLIM L555 sans ressort		3		4		
611613900000	Attache-câble 10-12 mm M18 L552 ressort 300 kg	3		4		6	6
613613300000	Attache-câble 10-12 mm M18 L552 sans ressort	3		4		6	
613602011002	Sac Silent-block Câble Diamètre 10-11-12 mm 2 Unités			2	2		
613602011003	Sac Silent-block Câble Diamètre 10-11-12 mm 3 Unités	1	1			2	2
613630002S06	Sac Serre-câbles (Diamètre 8-9-10 mm) 3/8" 6 Unités	3	3	4	4	6	6



KTA: MP Car Frame standard

Code	Description	KTA03100000	KSA03100000	KTA04100000	KSA04100000	KTA06100000	KSA06100000
		N. Traction ropes x rope diameter (mm)					
		3 x 10 mm	3 x 10 mm	4 x 10 mm	4 x 10 mm	6 x 10 mm	6 x 10 mm
3101134THYPT	Rope Anchorage 10-12 mm M16 SLIM L555 spring 300 kg		3		4		6
3101132THYPT	Rope Anchorage 10-12 mm M16 SLIM L555 without spring		3		4		
611613900000	Rope Anchorage 10-12 mm M18 L552 spring 300 kg	3		4		6	6
613613300000	Rope Anchorage 10-12 mm M18 L552 without spring	3		4		6	
613602011002	Bag Silent-block Cable Diameter 10-11-12 mm 2 Units			2	2		
613602011003	Bag Silent-block Cable Diameter 10-11-12 mm 3 Units	1	1			2	2
613630002S06	Bag Cable Clamps (Diameter 8-9-10 mm) 3/8" 6 Units	3	3	4	4	6	6



MODERNISIERUNGEN SEILCHLOSS und ZUBEHÖR. CODE: KTA0X100000 und KSA0X100000

Kits Seilchloss Selle 10 mm und Zubehör: Silent-blocks Seile. Seilhalterunge

KTA: Standard Fangrahmen MP

Code	Beschreibung	KTA03100000	KSA03100000	KTA04100000	KSA04100000	KTA06100000	KSA06100000
		N. Seile x Durchmesser (mm)					
		3 x 10 mm	3 x 10 mm	4 x 10 mm	4 x 10 mm	6 x 10 mm	6 x 10 mm
3101134THYPT	Seilchloss 10-12 mm M16 SLIM L555 1 feder 300 kg		3		4		6
3101132THYPT	Seilchloss 10-12 mm M16 SLIM L555 wo/ feder		3		4		
611613900000	Seilchloss 10-12 mm M18 L552 1 feder 300 kg	3		4		6	6
613613300000	Seilchloss 10-12 mm M18 L552 wo/ feder	3		4		6	
613602011002	Tasche Silent-block Seile Durchmesser 10-11-12 mm 2 Stücke			2	2		
613602011003	Tasche Silent-block Seile Durchmesser 10-11-12 mm 3 Stücke	1	1			2	2
613630002S06	Tasche Seilhalterungen (Durchmesser 8-9-10 mm) 3/8" 6 Stücke	3	3	4	4	6	6

