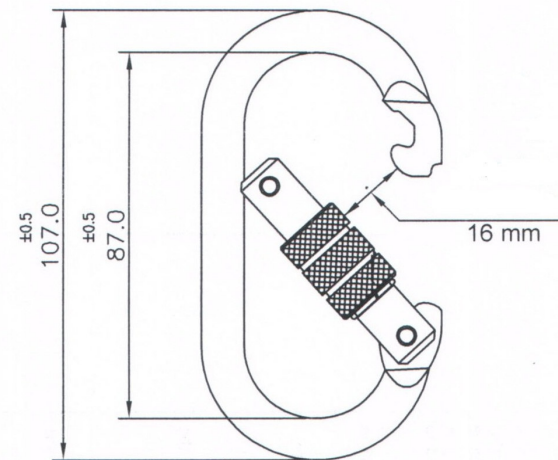


MOSQUETÓN SEKURALT REF.981

DISEÑO	Abertura 16 mm Conector de forma ovalada Fabricado en acero Cierre rosca
MATERIAL	Aleación de acero
RESISTENCIA ESTÁTICA	25 kN
PESO	170gm ± 10gm
NORMA	EN 362





SCREW-LOCK



STEELSAFE 981

Steel connector with manual threaded lock.

Norm	EN 362
Opening	18 mm
Measures	107x58 mm
Lock	Screw-Lock (manual thread)
Weight	174 g
Resistance	25 kN
Lifetime (years)	Unlimited

Material

Body	Steel
Thread	Steel